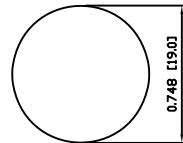
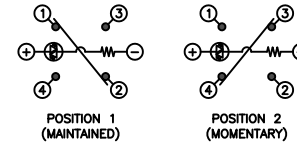


SUGGESTED PANEL CUTOUT



MAXIMUM PANEL THICKNESS: 0.472 [12.0mm]

SCHEMATIC



SPECIFICATIONS

FUNCTION:  
1PNO OFF-(ON) + 1PNC ON-(OFF)

RATING:  
2A 24VDC

ILLUMINATION VOLTAGE:  
12V 20mA

CONTACT RESISTANCE:  
Initial: 50mΩ Max. at 1A 12VDC

INSULATION RESISTANCE:  
1,000MΩ Min. at 500VDC

DIELECTRIC STRENGTH:  
2,000VAC Min. for 1 Minute

ELECTRICAL LIFE:  
50,000 Cycles

MECHANICAL LIFE:  
1,000,000 Cycles

TEMPERATURE:  
Operating: -20°C to 70°C

INGRESS PROTECTION:  
IP65

APPROVALS:  
**RoHS**  
COMPLIANT

MATERIALS

BUSHING:  
Stainless Steel (304)

BASE:  
Polycarbonate (PC)

ACTUATOR:  
Stainless Steel (304)  
Polycarbonate (PC)

HARDWARE:  
Nickel Plated Brass (H59)

SEALING:  
Silicone Rubber

INNER ASSEMBLY:  
Polyoxymethylene (POM)  
Polycarbonate (PC)  
Brass (H62)

SPRING:  
Stainless Steel (Cr18Ni9)

CONTACTS:  
Silver/Cadmium Oxide (AgCdO)

TERMINALS:  
Brass (H62)

O-RING:  
Silicone Rubber

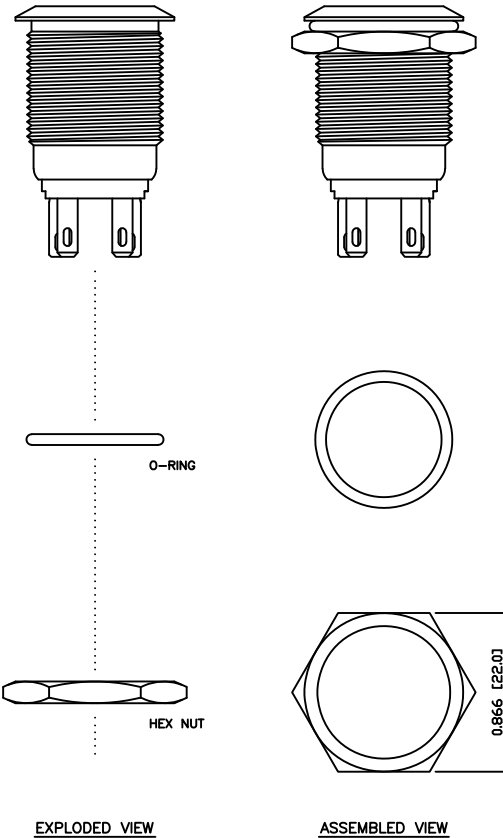
COLORS AND FINISH

BEZEL:  
Stainless Steel  
Machine Finish

ACTUATOR:  
Stainless Steel  
Machine Finish

ILLUMINATION:  
Green (Forward)  
Green (Reverse)

MARKING:  
None



|                |      |          |     |
|----------------|------|----------|-----|
| BODY           | A    | 09/07/24 | CAB |
| COLORS         | A    | 09/07/24 | CAB |
| MATERIALS      | B    | 09/10/16 | CAB |
| SPECIFICATIONS | A    | 09/07/27 | CAB |
| REFERENCE      | REV. | DATE     | BY  |

THE INFORMATION CONTAINED IN THIS DOCUMENT IS PROPRIETARY TO E-SWITCH AND IS NOT TO BE COPIED OR TRANSFERRED

|      |                              |       |          |          |
|------|------------------------------|-------|----------|----------|
| B    | UPDATED RATING TO 2A @ 24VDC | 23598 | 10/9/18  | MJR      |
| A    | NEW RELEASE                  | 20016 | 11/06/20 | CAB      |
| REV. | DESCRIPTION                  | PCR   | DATE     | DRAWN BY |

|                      |            |
|----------------------|------------|
| DIMENSIONS           |            |
| INCHES [MILLIMETERS] |            |
| GENERAL TOLERANCES   |            |
| ±0.008 [±0.2] / ±1'  |            |
| SCALE                | PROJECTION |
| DRAWING NOT TO SCALE | 1:1        |

E-SWITCH

LAMB INDUSTRIES

## PV4F2Y0SS-334

|                                   |                       |               |
|-----------------------------------|-----------------------|---------------|
| DRAWING NUMBER<br>52-PV4F2Y0SS334 | DATE<br>JUNE 20, 2011 | REVISION<br>B |
|-----------------------------------|-----------------------|---------------|